



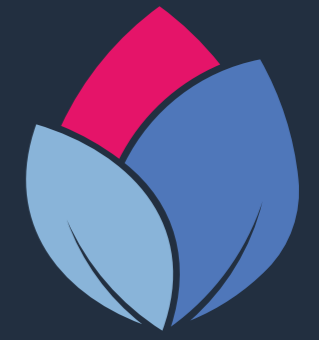
GROWSPEC

## GROWSPEC Co., Ltd.

2nd Floor Bldg C, Yuxin Industrial Zone, Shishan, Foshan Guangdong, China 528234

☎ +86-757-86669696

✉ sales@growspec-inc.com



GROWSPEC

# LED PLANT GROW LIGHTS



TECHNOLOGY WITH RESPECT TO NATURE  
© 2021 GROWSPEC

🌐 [www.growspec-inc.com](http://www.growspec-inc.com)



LED Grow Light Series for Indoor Planting ..... 2-7

LED Grow Light Series for Greenhouse Light Supplementary ..... 8-11

Our Service of LED Grow Light Solution ..... 12

OEM & ODM Service ..... 13

## ABOUT US

Established in 2015, GrowSpec is a biotechnology company with a 15 people R&D team for indoor and greenhouse cultivation devices development. We insist on developing the products by standing on the feet of users to truly help growers grow higher efficiently, especially for large-scale commercial indoor agriculture projects.

Since our manufacturing center in Foshan City, China set up in 2016, GrowSpec has helped many customers reached their profit targets with efficient target-oriented solutions and diversified product line. Our main products are in 3 categories:



This catalog will introduce our LED grow lights and plant lighting solutions.



**GROWSPEC**  
TECHNOLOGY WITH RESPECT TO NATURE

# LED GROW LIGHT SERIES FOR INDOOR PLANTING

## AGRISPEC Series

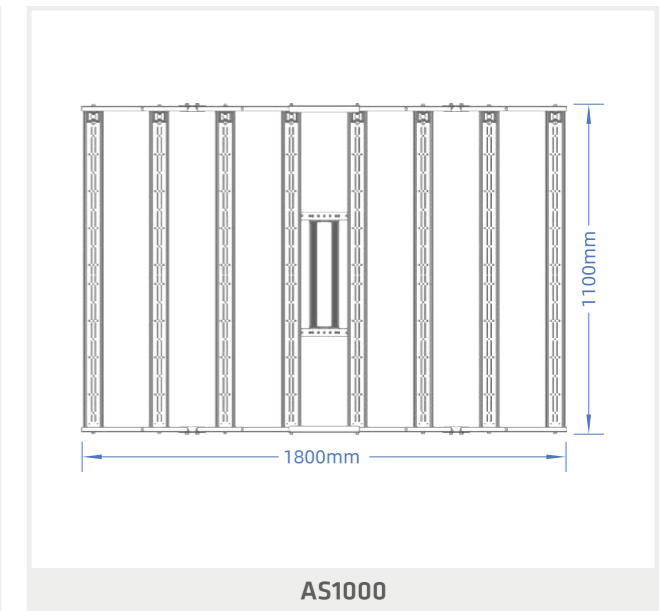
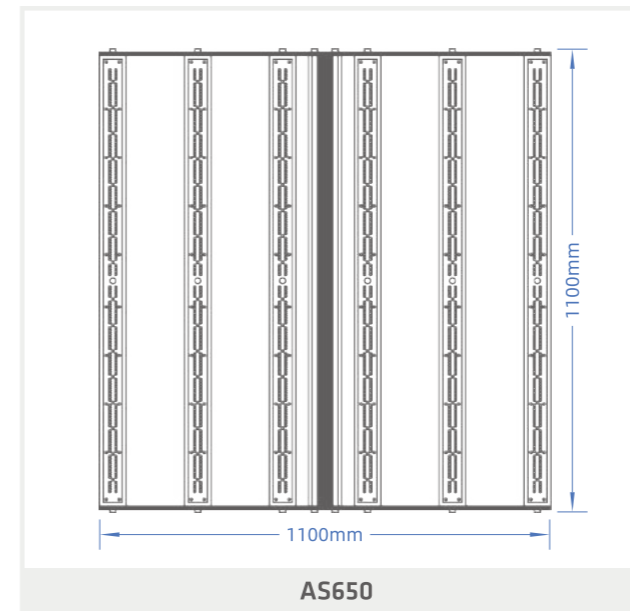
AgriSpec series has 6-12 light bars with 100W/bar to make 600-1,200W lamp, this lamp is designed especially for indoor artificial lighting because it should be hanging on the height of 30cm to 100cm, the light will be evenly distributed on the area covered by this lamp.



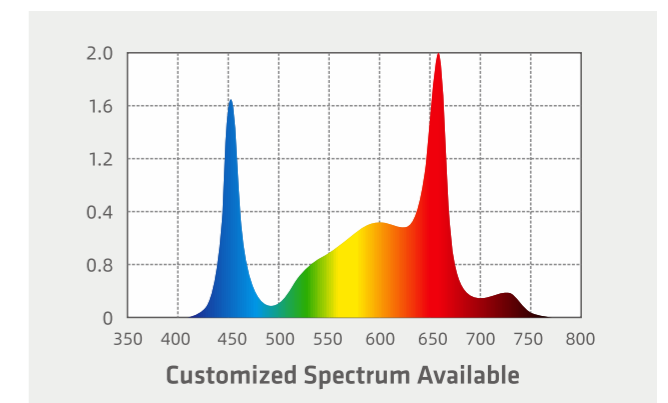
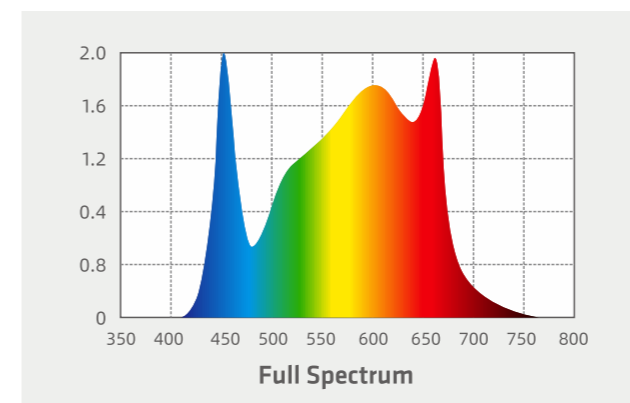
## PRODUCT SPECIFICATIONS

| Model             | AS650                         | AS1000                        |
|-------------------|-------------------------------|-------------------------------|
| Power             | 650W                          | 1000W                         |
| PPE               | 2.6 $\mu\text{mol}/\text{j}$  | 2.6 $\mu\text{mol}/\text{j}$  |
| PPF               | 1690 $\mu\text{mol}/\text{s}$ | 2600 $\mu\text{mol}/\text{s}$ |
| Input Voltage     | 100-277V AC                   | 100-277V AC                   |
| Cooling           | Passive                       | Passive                       |
| Height of Hanging | 8" Above                      | 8" Above                      |
| Spectrum          | Full Spectrum                 | Full Spectrum                 |
| Dimming           | Yes                           | Yes                           |
| Brand             | GROWSPEC or OEM               | GROWSPEC or OEM               |
| Waterproof        | IP65                          | IP65                          |
| Warranty          | 5 Years                       | 5 Years                       |
| PSU Certificates  | ETL, DLC, FC, CE              | ETL, DLC, FC, CE              |

## MEASUREMENTS



## SPECTRUM FOR AGRISPEC



# LED GROW LIGHT SERIES FOR INDOOR PLANTING

## VEGBAR Series

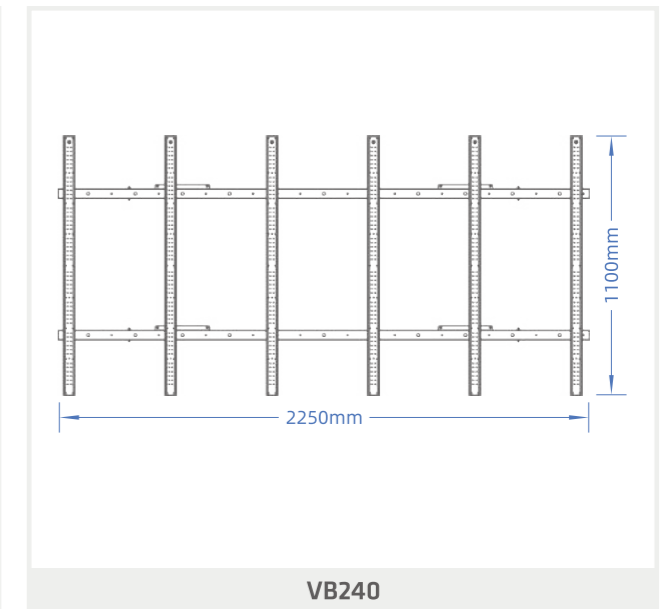
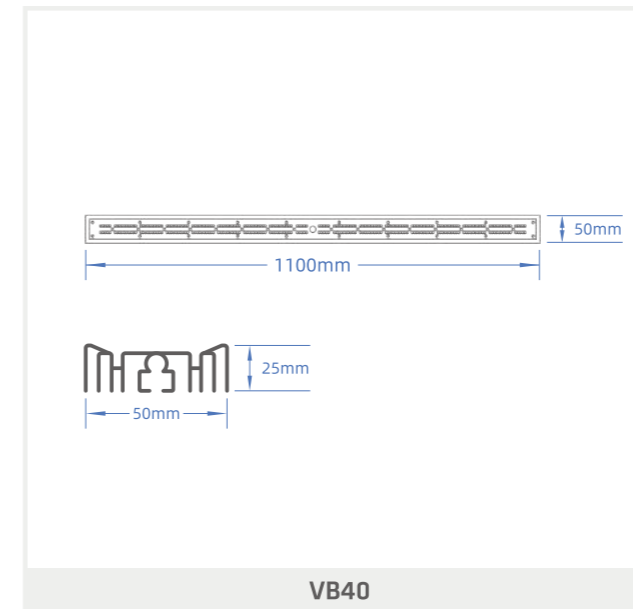
VegBar series is designed for indoor artificial lighting for leafy greens, herbs, or clone and germination. The proper height from light to plant canopy is 15cm-60cm.



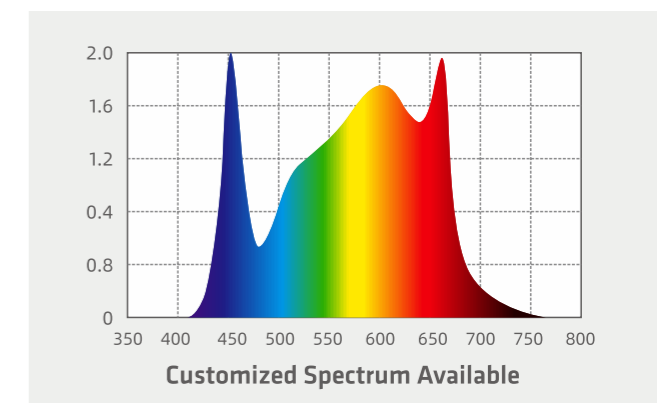
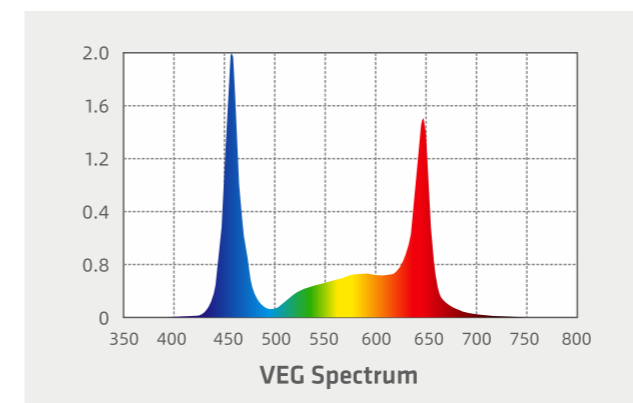
## PRODUCT SPECIFICATIONS

| Model             | VB40                         | VB240                        | VB320                        | VB480                         |
|-------------------|------------------------------|------------------------------|------------------------------|-------------------------------|
| Power             | 40W                          | 240W                         | 320W                         | 480W                          |
| PPE               | 2.6 $\mu\text{mol}/\text{j}$ | 2.6 $\mu\text{mol}/\text{j}$ | 2.6 $\mu\text{mol}/\text{j}$ | 2.6 $\mu\text{mol}/\text{j}$  |
| PPF               | 104 $\mu\text{mol}/\text{s}$ | 624 $\mu\text{mol}/\text{s}$ | 832 $\mu\text{mol}/\text{s}$ | 1248 $\mu\text{mol}/\text{s}$ |
| Input Voltage     | 24-48V AC                    | 24-48V AC                    | 24-48V AC                    | 24-48V AC                     |
| Cooling           | Passive                      | Passive                      | Passive                      | Passive                       |
| Height of Hanging | 6" Above                     | 8" Above                     | 8" Above                     | 8" Above                      |
| Spectrum          | Full Spectrum                | Full Spectrum                | Full Spectrum                | Full Spectrum                 |
| Dimming           | Yes                          | Yes                          | Yes                          | Yes                           |
| Brand             | GROWSPEC or OEM              | GROWSPEC or OEM              | GROWSPEC or OEM              | GROWSPEC or OEM               |
| Waterproof        | IP65                         | IP65                         | IP65                         | IP65                          |
| Warranty          | 5 Years                      | 5 Years                      | 5 Years                      | 5 Years                       |
| PSU Certificates  | /                            |                              |                              |                               |

## MEASUREMENTS



## SPECTRUM FOR VEGBAR



# LED GROW LIGHT SERIES FOR INDOOR PLANTING

## PANEL Series

PANEL lights series is good for indoor cultivation without nature lighting.

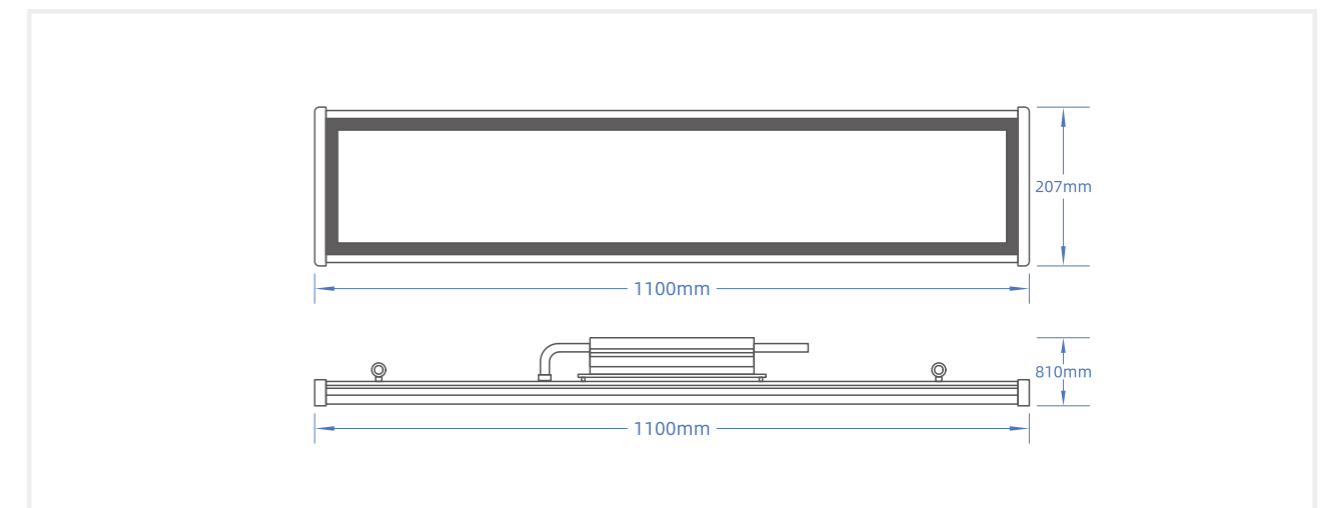
LEDs are evenly distributed on the 115cmx16cm PCB, with high PPFD at 30cm (1ft).



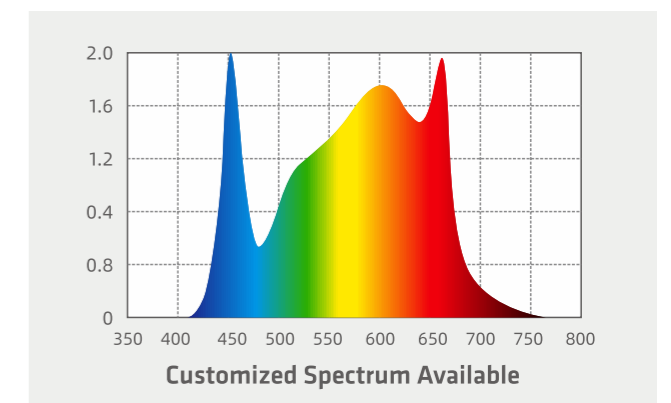
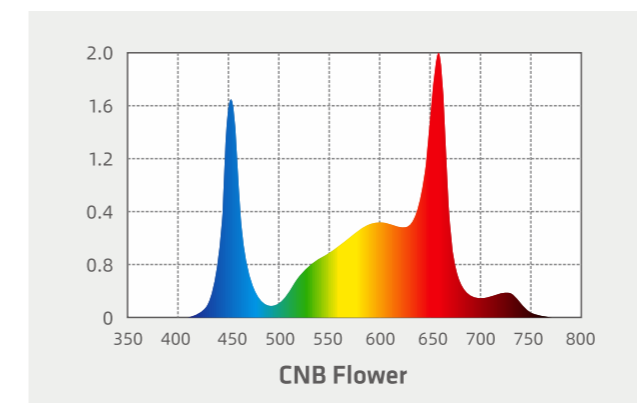
## PRODUCT SPECIFICATIONS

| Model               | PN240   |
|---------------------|---|
| Power               | 240W  |
| PPE                 | 1.9-2.6 $\mu\text{mol}/\text{j}$  |
| PPF                 | 456-624 $\mu\text{mol}/\text{s}$  |
| Input Voltage       | 100-277V AC   |
| Power Factor        | > 0.95@220 V  |
| Mounting Height     | 20 cm-100 cm  |
| Radiation Angle     | 80° / 120° / 150°   |
| Cooling             | Passively air-cooled  |
| Original Power Cord | 1 ft pigtail  |
| Lifetime            | L80: Up to 35000hrs @25°C   |
| Warranty            | 5 Years   |
| Weight Netto        | 16.1 lbs / 7.3 Kg   |
| Light Color         | <span style="color: blue;">●</span> <span style="color: green;">●</span> <span style="color: red;">●</span> <span style="color: purple;">●</span> |

## MEASUREMENTS



## SPECTRUM FOR PANLE



# LED GROW LIGHT SERIES FOR GREENHOUSE LIGHT SUPPLEMENTARY

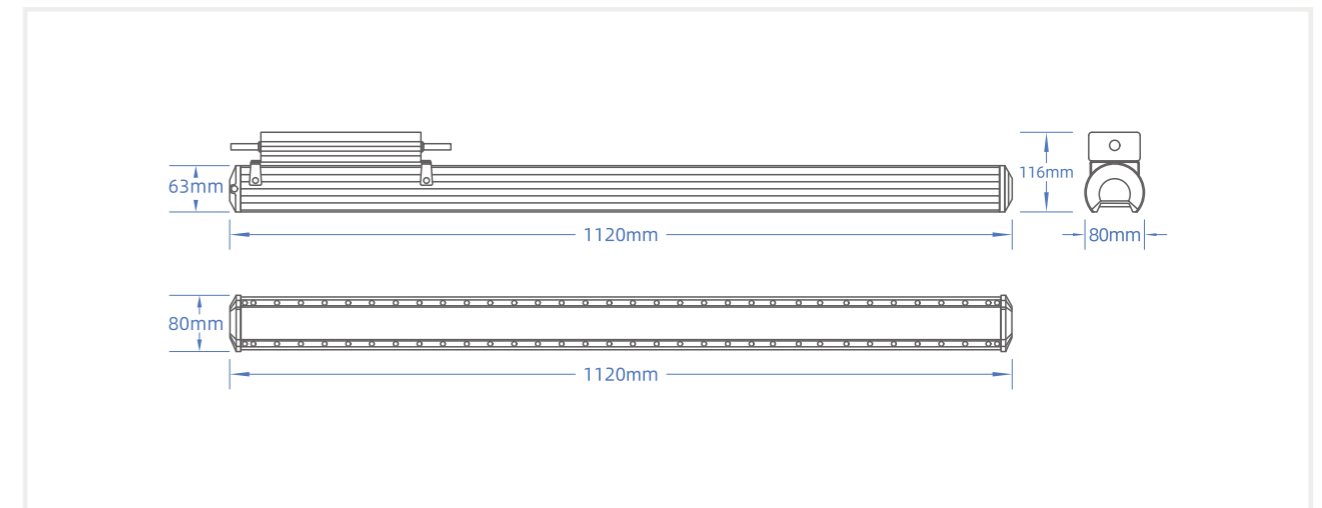
**AGRIBAR**



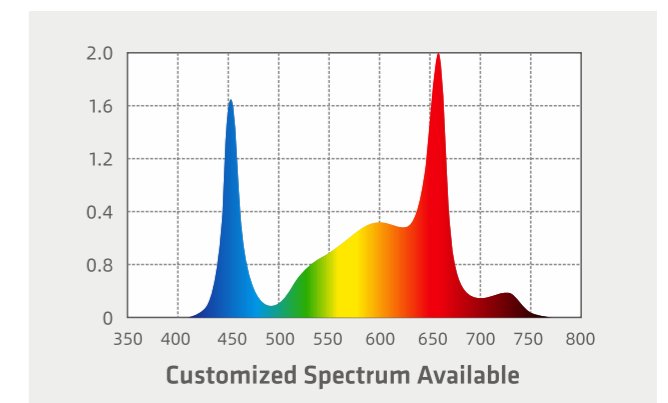
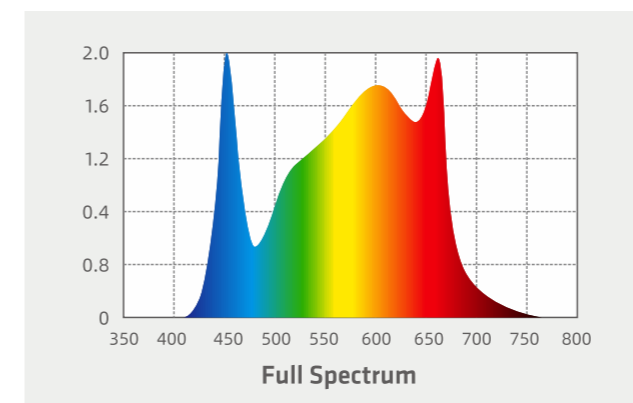
## PRODUCT SPECIFICATIONS

| Model               | AB185   |
|---------------------|---|
| Power               | 185W  |
| PPE                 | 2.6 $\mu\text{mol}/\text{j}$  |
| PPF                 | 481 $\mu\text{mol}/\text{s}$  |
| Input Voltage       | 100-277V AC   |
| Power Factor        | > 0.95@220 V  |
| Mounting Height     | 20 cm-250 cm  |
| Radiation Angle     | 30° / 60° / 80° / 120°  |
| Cooling             | Passively air-cooled  |
| Original Power Cord | 1 ft pigtail  |
| Lifetime            | L80: Up to 35000hrs @25°C   |
| Warranty            | 5 Years   |
| Weight Netto        | 12.8 lbs / 5.8 Kg   |
| Light Color         | <span style="color: blue;">●</span> <span style="color: green;">●</span> <span style="color: red;">●</span> |

## MEASUREMENTS



## SPECTRUM FOR AGRIBAR

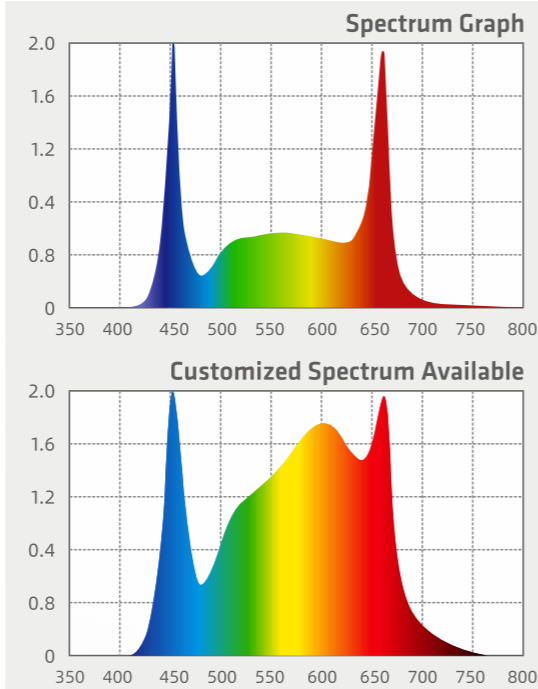


# LED GROW LIGHT SERIES FOR GREENHOUSE LIGHT SUPPLEMENTARY

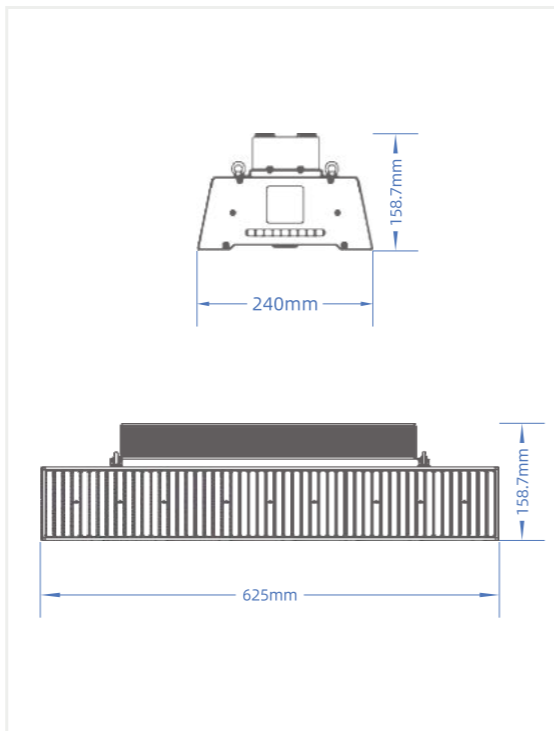
## SUNRAY Series



### SPECTRUM FOR SR650



### MEASUREMENTS



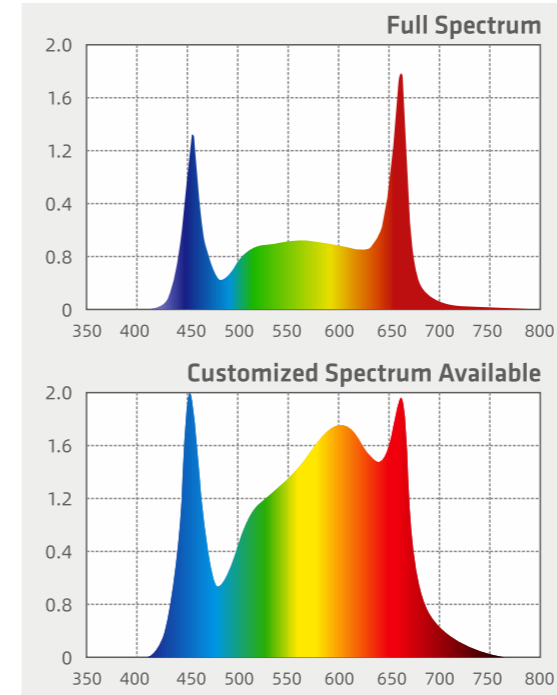
### PRODUCT SPECIFICATIONS

| Model           | SR650                         |
|-----------------|-------------------------------|
| Power           | 650W                          |
| PPE             | 2.7 $\mu\text{mol}/\text{j}$  |
| PPF             | 1755 $\mu\text{mol}/\text{s}$ |
| Input Voltage   | 100-277V AC                   |
| Cooling         | Passive                       |
| Light Source    | LED                           |
| Mounting Height | Above 3'                      |
| Light Recipe    | Full Spectrum                 |
| Dimmer          | Power Dimming                 |
| Waterproof      | IP65                          |
| Warranty        | 5 Years                       |
| Weight          | 33 lbs / 15 Kg                |
| Certificate     | ETL, DLC, FC, CE              |

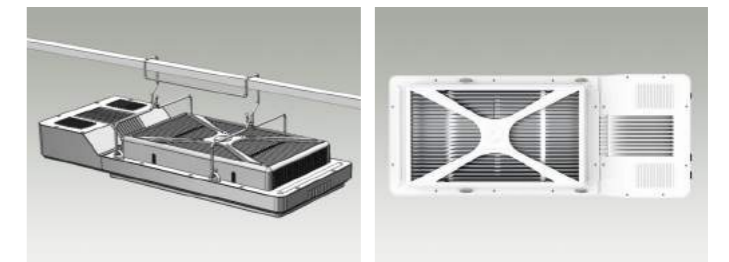
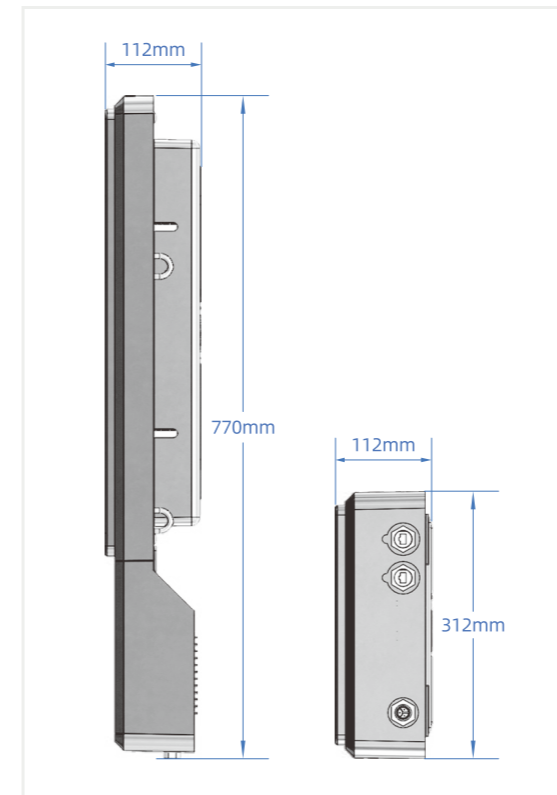
# NEW ARRIVAL

## BEST 1:1 HPS 1150W REPLACEMENT

### SPECTRUM FOR SR800



### MEASUREMENTS



### PRODUCT SPECIFICATIONS

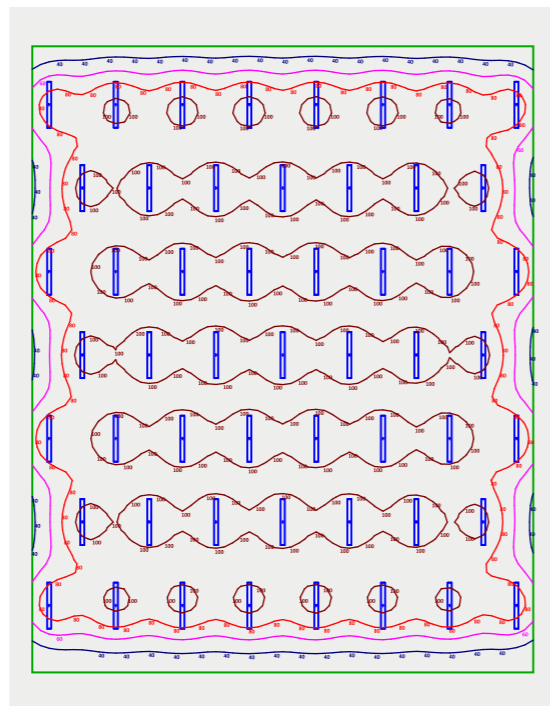
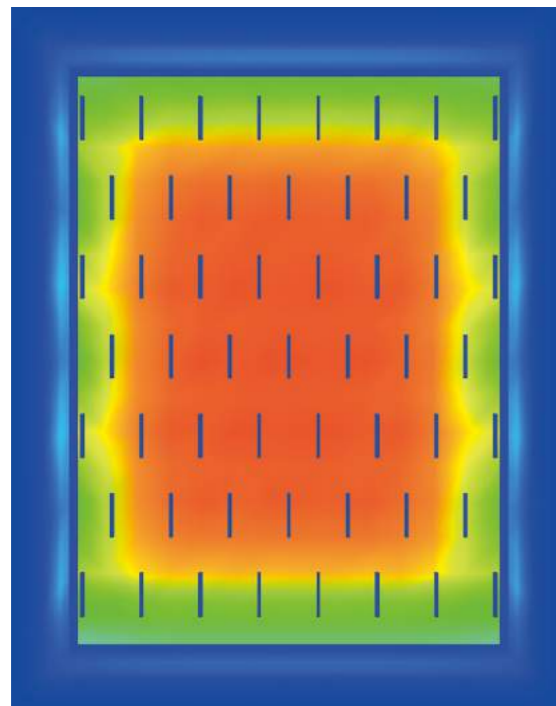
| Model           | SR800                         |
|-----------------|-------------------------------|
| Power           | 800W                          |
| PPE             | 2.7 $\mu\text{mol}/\text{j}$  |
| PPF             | 2160 $\mu\text{mol}/\text{s}$ |
| Input Voltage   | 100-277V AC                   |
| Cooling         | Passive                       |
| Light Source    | LED                           |
| Mounting Height | Above 3'                      |
| Light Recipe    | Full Spectrum                 |
| Dimmer          | Power Dimming                 |
| Waterproof      | IP66                          |
| Warranty        | 5 Years                       |
| Weight          | 39.68 lbs / 18 Kg             |
| Certificate     | ETL, DLC, FC, CE              |

# OUR SERVICE OF LED GROW LIGHT SOLUTION



When you first time contact us with a project, we will offer our suggestion on what types of LED you can choose and how many pcs you may need in how many watts. It will help you to determine how much light you need for your specific crop and growth goals. This will illustrates an optimal lighting layout for your facility to maximize light intensity and uniformity.

Our tailor-made engineering include combines the light spectrum, intensity, illumination moment, uniformity and positioning.



# OEM & ODM SERVICE

## Design

GrowSpec Can design the LED grow lights according to your requirements, including:  
Power, spectrum, measurements of the grow lights.



## Manufacturing

All designed products are manufactured in GrowSpec's production facility  
With experienced workers.



## After Service

5 years warranty  
Spare parts available



- UL 1598 & CSA 22.2 No. 250.0-08:Luminaires
- UL 8750:Light Emitting Diode (LED) Equipment for Use in Lighting Products
- CSA C22.2 no. 250.13:Light Emitting Diode (LED) Equipment for Lighting Applications
- UL8800:Outline of Investigation for Horticultural Lighting Equipment
- EN 60598-1:2015.General requirements and tests
- EN 60598-2-1:1989.Particular requirements for fixed general purpose luminaires
- EN 62471:2008.Photobiological safety of lamps and lamp systems
- EN 62493:2015.Assessment of lighting equipment Related To Human Exposure To Electromagnetic Fields
- EN 55015:2013. Limits and methods of measurement of radio Disturbance characteristics of electrical lighting and similar equipment
- EN 55015:2013+A1:2015.Limits and methods of measurement of radio Disturbance characteristics of electrical lighting and similar equipment
- EN 61547:2009.Equipment for general lighting purposes-EMC immunity requirements
- EN 61000-3-2:2014. Electromagnetic compatibility(EMC) Part 3-2:Limits for harmonic current emissions(Equipment input current up to and including 16A per phase)
- EN 61000-3-3:2013.Electromagnetic Compatibility (EMC) Part 3-3: Limitation of voltage supply systems for equipment with rated current ≤ 16A

